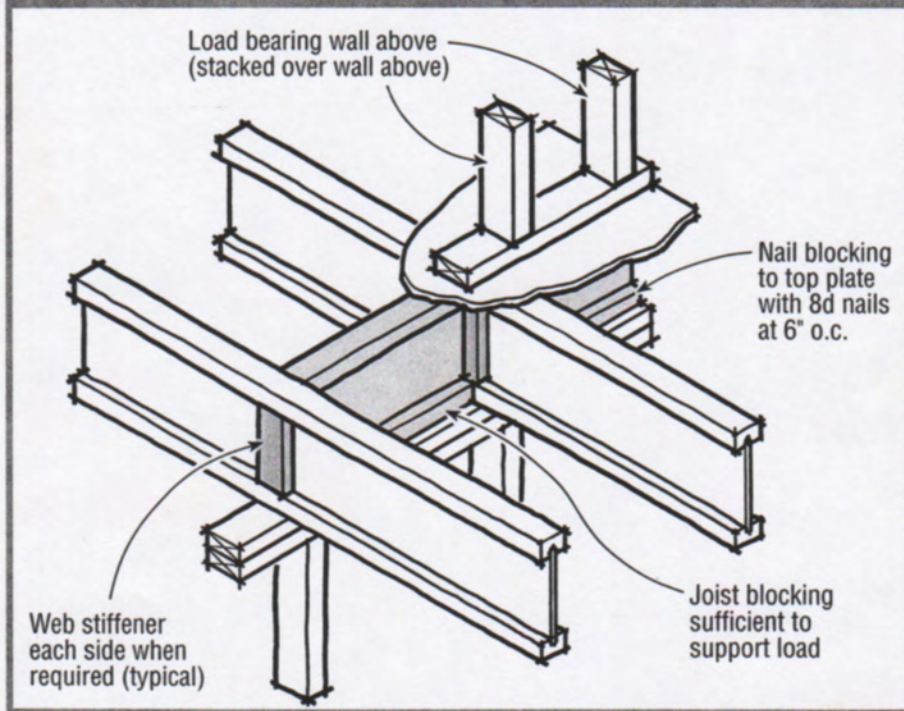


Figure 2-39. Support for Bearing Walls



Where a loadbearing wall sits over a girder or another wall, full-height blocking should be installed to carry the load.